

**Metal[®]
Tech**
S. PIASECKI I SYNOWIE

Securing parking spaces
against unauthorized
parking of vehicles



Pneumatic parking column **AKAN**

Durability Functionality

* Proper protection, appropriate materials and proper substrate preparation guarantee an unusually long service life and reliable operation.

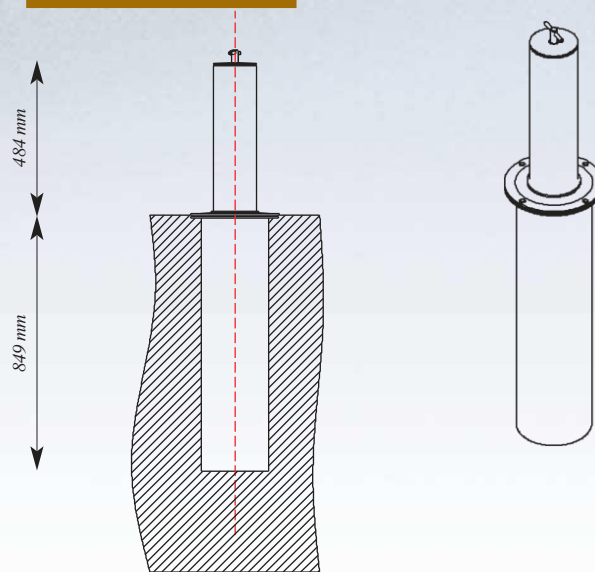
* Parking posts limit access to reserved places. They allow authorized persons to access parking spaces, making it impossible to enter other vehicles.

METALTECH-PIASECKI Spółka Jawna
ZAKŁADY MECHANICZNE CYNKOWNIA OGNIOWA
Niechodzka St. 13, 06-400 CIECHANÓW
Phone number 0048 23 674 15 00, 0048 23
674 15 02 fax 0048 23
672 52 15
e-mail: sales@metaltech.pl (sales and marketing
department)

www.metaltech.pl



The assembly scheme



The technical parameters

Height from the ground	484 mm
Diameter from the ground	Ø 139,7
Height of the case fixed in the ground	849 mm
Diameter of the case fixed in the ground	Ø 219,1
Ending	INOX
Principle of operation	Gas spring
Weight	25 kg
Index	wzxx-SP-00-00